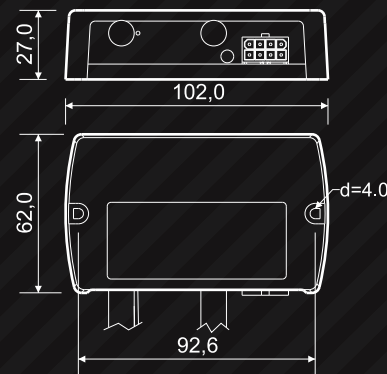


CHARACTERISTICS NE363:

- ◆ Possibility to select the characteristics of the battery (voltage, capacity and battery type)
- ◆ Power supply voltage from 8Vdc to 70Vdc
- ◆ Protection: IP56
- ◆ Current range: 50A, 100A, and 150A (charge/discharge)
- ◆ Current resolution: 5mA
- ◆ Serial interfaces: TTL, RS232, RS485, CAN
- ◆ Communication with NE306: SOC, Current, Voltage, Ah Charged/Discharged
- ◆ Wireless communication: Bluetooth (optional)
- ◆ Charge/discharge data: last 280 cycles

DIMENSION [mm]:



CHARACTERISTICS NE306:

- ◆ Power supply voltage from 8Vdc to 70Vdc
- ◆ Protection: IP30 (frontal IP65)
- ◆ Inhibit relay contact: 4A@12V - 2A@60V
- ◆ 6 digit hour-counter with precision of 1/10h
- ◆ Illuminated display
- ◆ Button switch to change view

DIMENSION [mm]:

