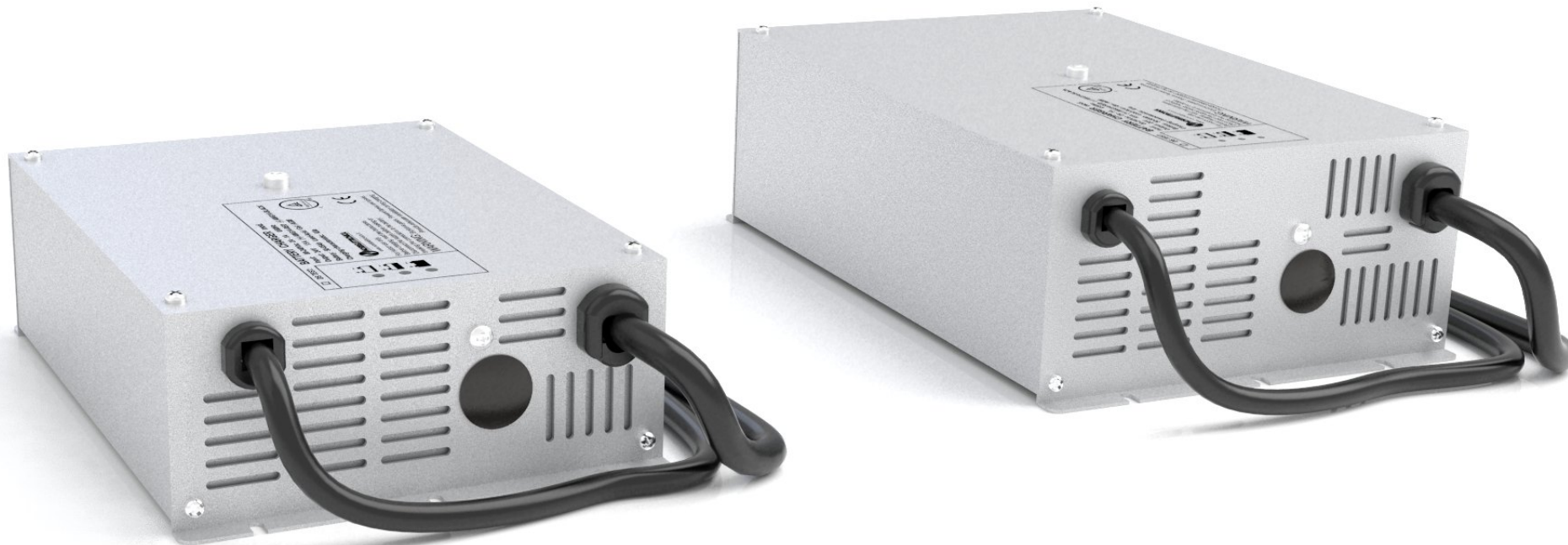




HF BATTERY CHARGER



Nordelettronica srl

Viale delle Industrie 6/a, 31018 Gaiarine (TV) - ITALIA

Tel: +39 0434 759420 - Fax: +39 0434 754620

🌐 www.nordelettronica.it - ✉ info@nordelettronica.it



HF BATTERY CHARGER

These chargers are suitable for gel, AGM and lead acid batteries. The battery charger provides a combination of charge at constant current and constant voltage. This makes possible a significant reduction of the charging time and prevents permanent damage of the battery. Select with the dip switches the charging profile according to the battery type.

MODEL:	NE326	NE328
---------------	--------------	--------------

TECHNICAL CHARACTERISTICS:

Input:	100-240Vac 50/60Hz	
Battery nominal Voltage:	24V	
Maximum current output:	15A	25A
Battery capacity:	100 ÷ 160Ah	160 ÷ 270 Ah
Battery type:	lead acid - gel - AGM	
Setting of the charging curve :	max 16 algorithm	
Fan:	yes	
Visual indicator:	three colour LED	three colour LED (DISPLAY optional)
Remote visual indicator:	optional (RVI22)	
Save charging cycles:	yes	
Protection IP:	IP30	
Protection Class:	I	
Dimension: (L x P x H mm)	142 x 202 x 64	160 x 245 x 80
Weight	1,30Kg	2,20Kg

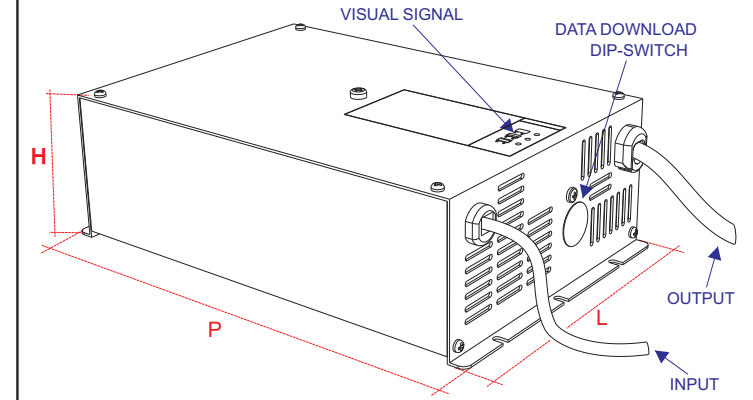
CONNECTIONS:

Input:	Connector 3-way IEC EN60320 C14 (customizable)	
Output +/- Battery:	Cable AWG12 red / black (customizable)	Cable AWG10 red / black (customizable)
Contact n.c.: (when the main supply is connected the contact is open)	Cables AWG20 (customizable)	
Download charging cycles:	Specific software and cable	

PROTECTION:

Input fuse:	T10A 250V (internal fuse)	T15A 250V (internal fuse)
Reverse polarity	yes	
Short circuit	yes	
Overcurrent	yes	
Overvoltage	yes	
Overtemperature	yes	

NE326 - NE328



ADVANCED FEATURES FOR THESE MODELS.

- Memory to storage charging and discharging cycles
- Inhibit output when main is connected
- Inhibit output during discharging (optional)
- Optional display built in
- Optional communication with different protocol (CAN,RS232,LIN)

REMOTE VISUAL INDICATOR (RVI22)

